



Control Systems Internship in Automation Industry

Maria Tarnay



INTRODUCTION

- Control Systems
- 1st Summer: May 2021 – August 2021
- 2nd Summer: May 2022 – August 2022
- Part-Time: September 2022- Present
- Found through Spring 2021 Co-Op Fair

LEARNING OBJECTIVES

- Learn to Review and Design PLC Cabinet Drawings
- Reading & Testing Ladder Logic Code
- HMI/SCADA Manipulation & Implementation

RESPONSIBILITIES

- Creation & Editing of PLC Cabinet Drawings
 - CAD Knowledge necessary
 - My name is now on initial PLC drawing sets
- Manipulation of HMI/SCADA Systems
 - SCADA Network knowledge necessary
 - Creating/testing screens used by plant operators
- Testing PLC Code
 - Coding knowledge needed; specifically ladder logic
 - Tested critical alarms before system installation

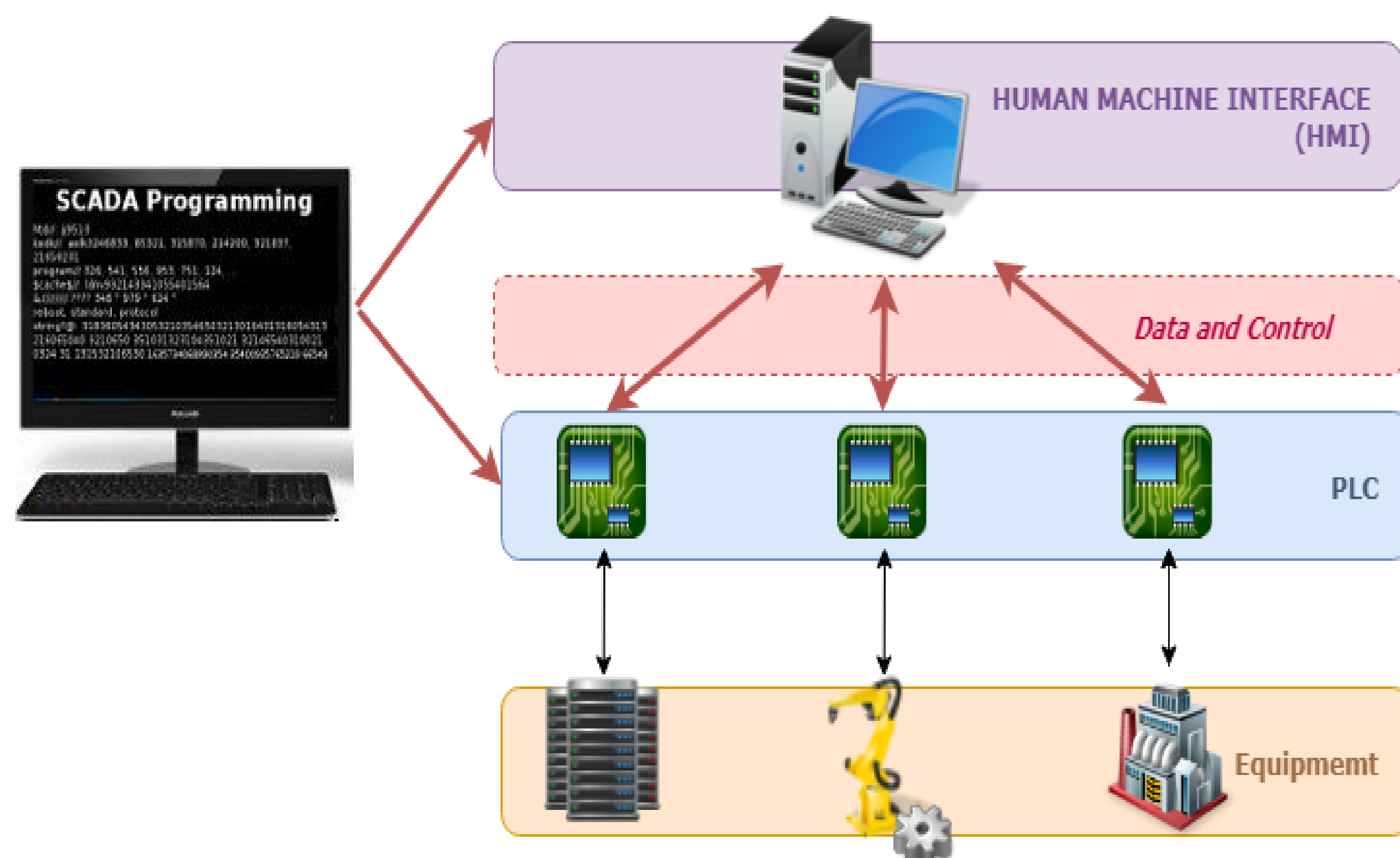


Figure 1. HMI and SCADA Diagram



Figure 2. RoviSys Logo

APPLICATION OF COURSE CONTENT

- CAD Courses
 - PLC Cabinet Drawing Design & Review
- Linear Controls
 - Process Control Concepts: IO, block diagrams, etc.
- Electrical Engineering Concepts
 - Power Distribution Design

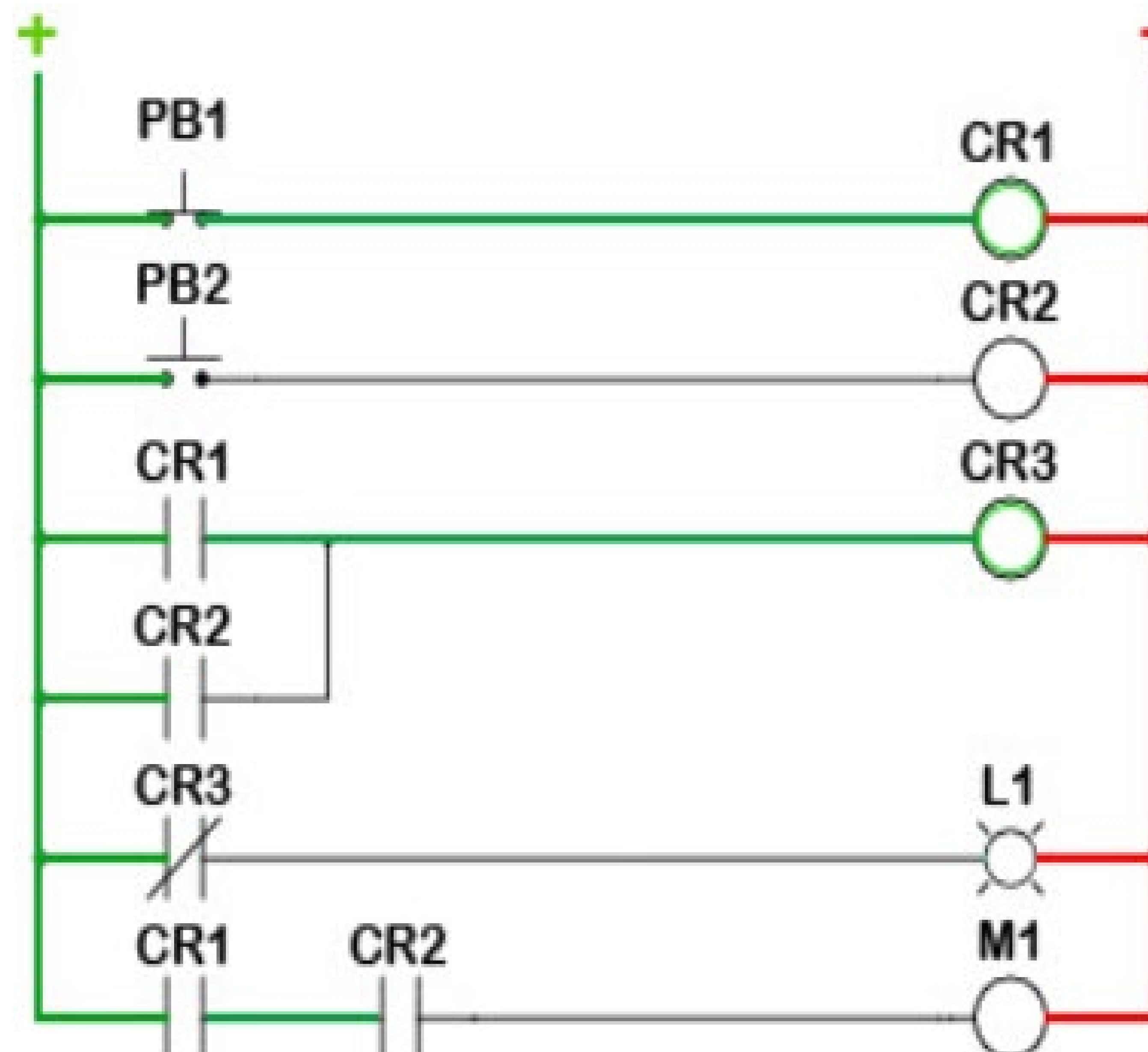


Figure 3. Example of Ladder Logic with Pushbuttons, Control Relays, Motor and Light Symbols

LESSONS LEARNED

- Lessons learned on the job are more valuable than those learned in school
- Refer to prior schoolwork for minor understanding, but rely on senior co-workers for pertinent knowledge



Figure 4. Annealing Lehr Rollers for Float Glass Process

FUTURE CAREER OBJECTIVE

I aim to work Full-Time for RoviSys, and continue my career in Systems Engineering

ACKNOWLEDGMENTS

I would like to thank my general manager and RoviSys team for training me and involving me in their projects. I would also like to thank the Cleveland State College of Engineering and Choose Ohio First Internship Track for providing the resources necessary to begin my career.

REFERENCES

- “RoviSys Logo.” Facebook, <https://pl-pl.facebook.com/people/RoviSys/100064005671326/>. Accessed 23 Feb 2023.
- “How do SCADA Systems Work?” DPS Telecom, <https://www.dpstele.com/scada/how-systems-work.php>. Accessed 23 Feb 2023.
- “What is Ladder Logic?” Library – Automation Direct, https://library.automationdirect.com/understanding-ladder-logic/?utm_source=ad-newsletter&utm_medium=email&utm_campaign=2-26-15. Accessed 23 Feb 2023
- “Automating Process Perfection.” RoviSys, <https://www.rovisys.com/success-stories/automating-process-perfection-glass-manufacturing/>. Accessed 23 Feb 23